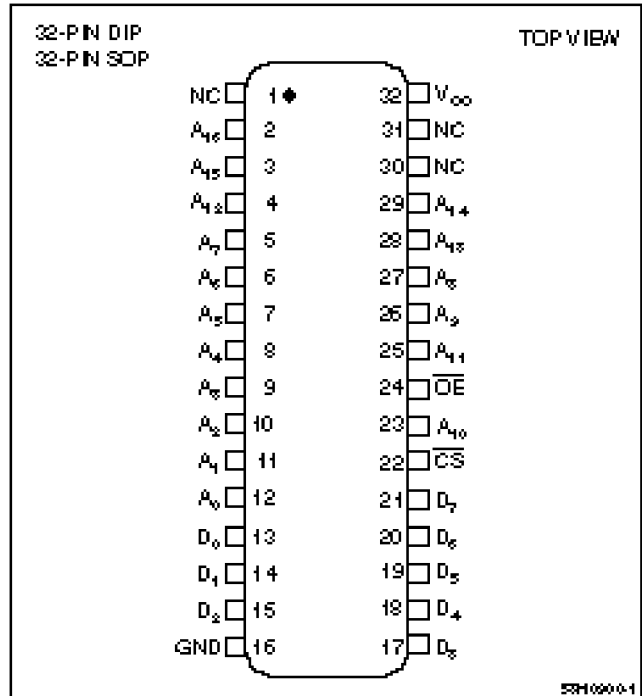
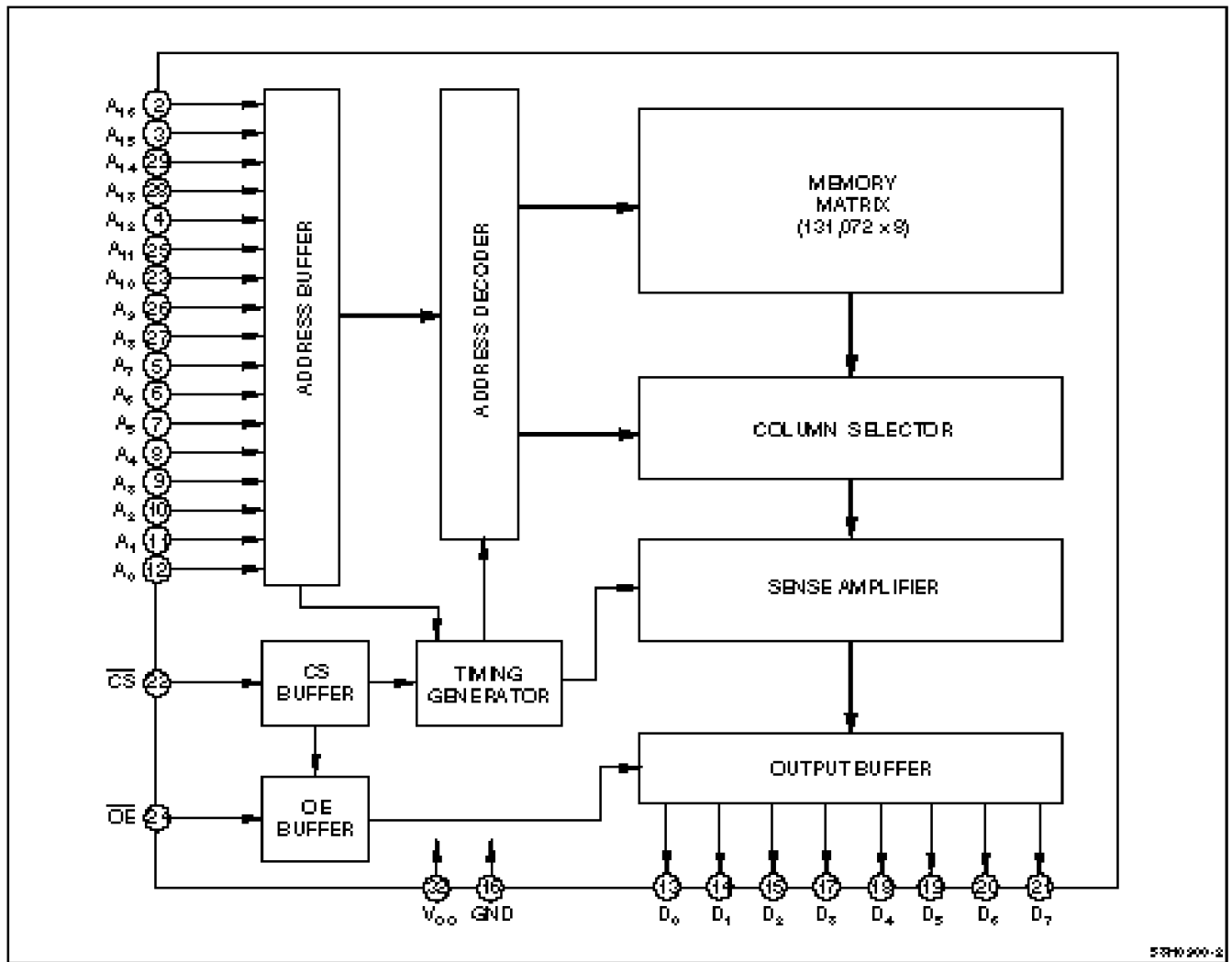


×

×

×





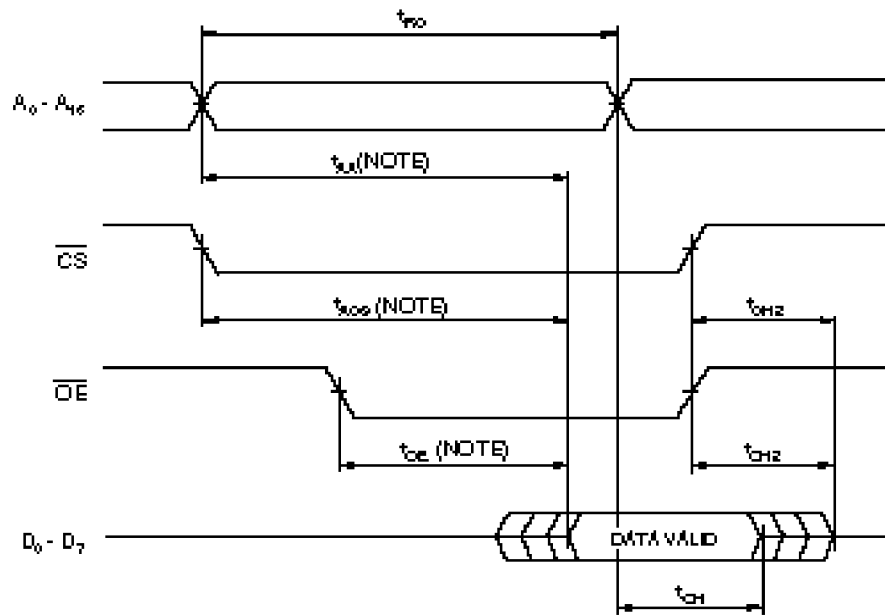
SHR0200-2

| | |
|--|--|
| | |
| | |
| | |
| | |

| | |
|--|--|
| | |
| | |
| | |
| | |

| | | | | | |
|--|--|--|--|--|--|
| | | | | | |
| | | | | | |
| | | | | | |
| | | | | | |

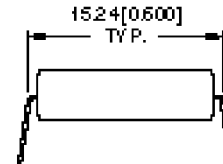
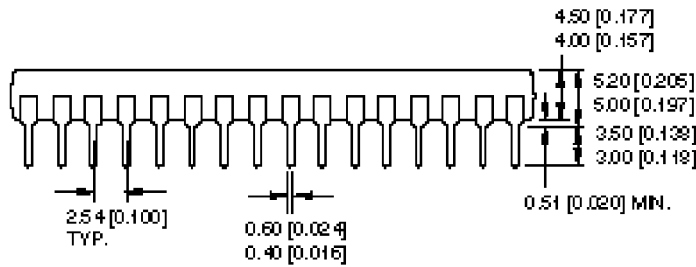
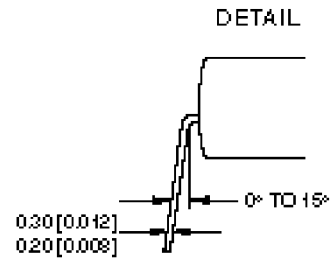
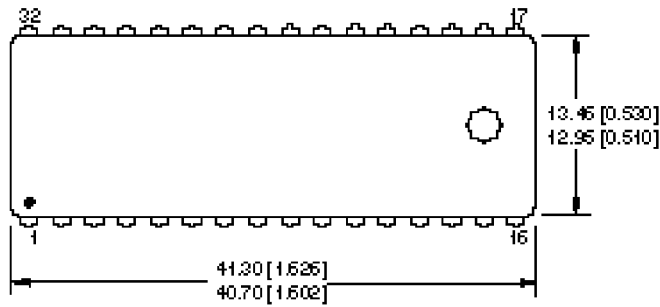
| | |
|--|--|
| | |
| | |
| | |
| | |
| | |
| | |



NOTE: Data becomes valid after the intervals t_{AA} , t_{CS} , and t_{CE} from address input and output enable input respectively, have been met.

SH1090-3

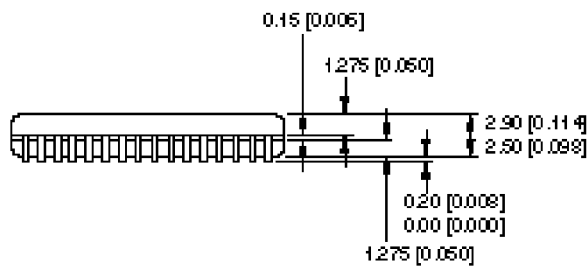
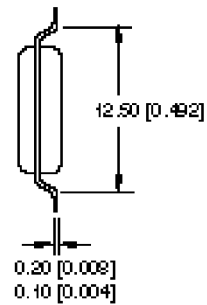
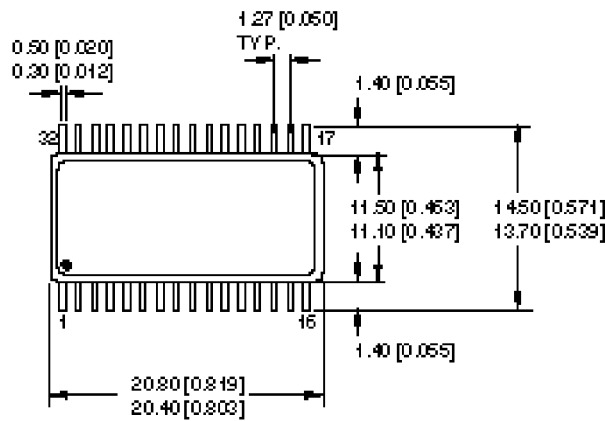
32DIP (DP032-P-0600)



DIMENSIONS IN MM (INCHES) MAXIMUM LIMIT
 MINIMUM LIMIT

32DIP

32SOP (SOP032-P-0525)



DIMENSIONS IN MM (INCHES) MAXIMUM LIMIT
 MINIMUM LIMIT

32SOP

